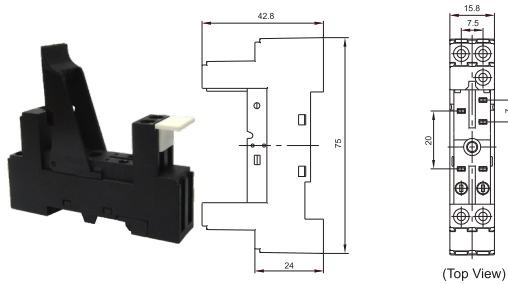


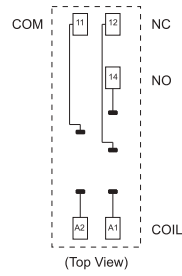
Sockets

MSR1-1C-...A Outline dimensions (Unit: mm)

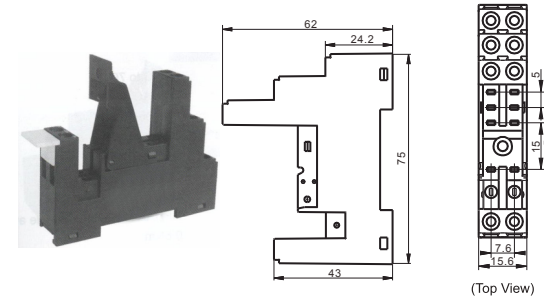


****Applicable relay type: MSR1-1C-1A: FRM10N-1;
MSR1-1C-2A: FRM2-1;
MSR1-1C-3A: FRM1-1**

Wiring diagram



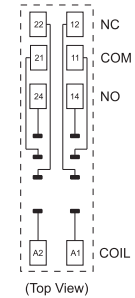
MSR-2C-C3 Outline dimensions (Unit: mm)



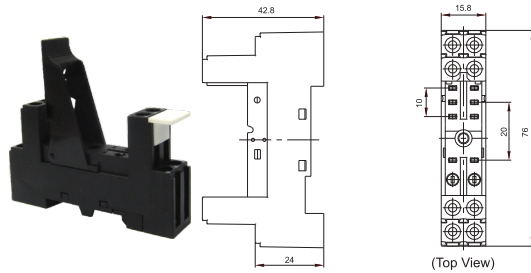
****Applicable relay type: MSR-2C-C3-1: FRM10N (2 poles) and FRM10NH
MSR-2C-C3-2: FRM2-2
MSR-2C-C3-3: FRM1-2**

****Modules are available for this socket**

Wiring diagram

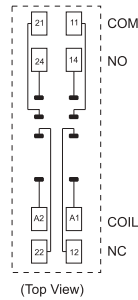


MSR1-2C-...A Outline dimensions (Unit: mm)

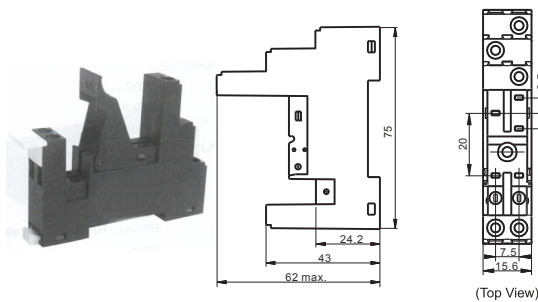


****Applicable relay type: MSR1-2C-1A: FRM10N-2;
MSR1-2C-2A: FRM2-2;
MSR1-2C-3A: FRM1-2**

Wiring diagram



MSR1-1C-C3 Outline dimensions (Unit: mm)



****Applicable relay type: MSR1-1C-C3-1: FRM10N (1 poles);
MSR1-1C-C3-2: FRM2-1
MSR1-1C-C3-3: FRM1-1**

****Modules are available for this socket**

Wiring diagram

